



Dedicated Fuel System

Universal Dedicated Fuel Cell Wiring Instructions

Part #'s 00-12000 - 00-12055

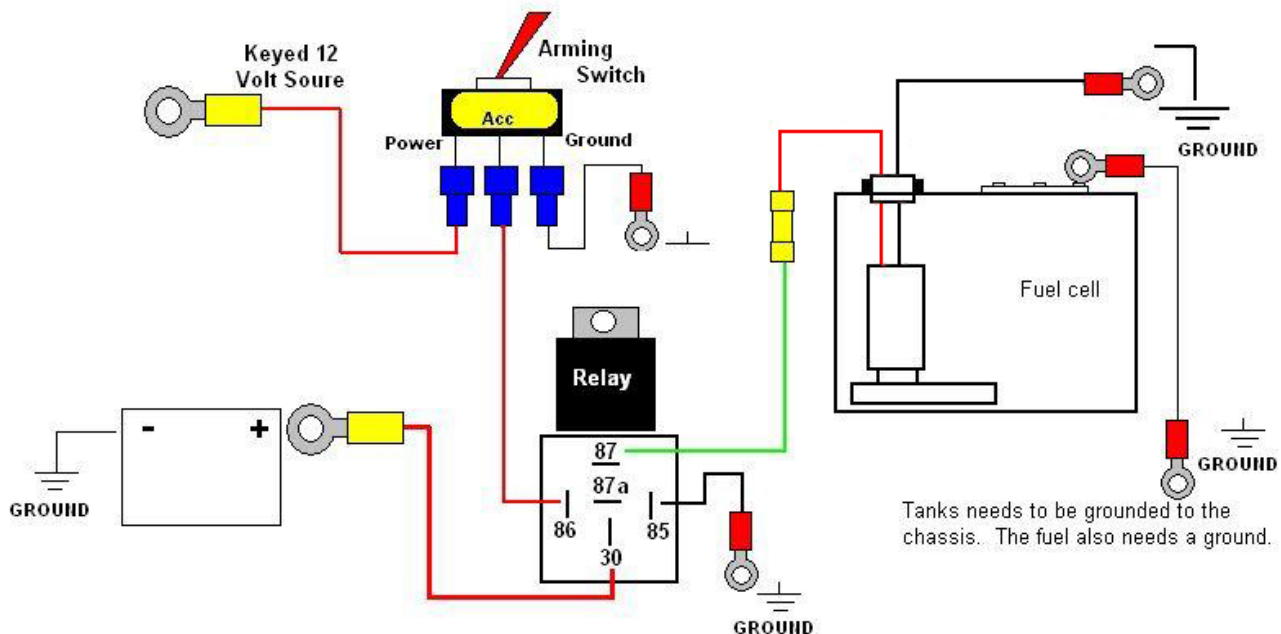
INSTALLATION INSTRUCTIONS

Nitrous Outlet's dedicated fuel systems come complete with a custom built fuel cell, mounting brackets, in tank fuel pump, Aeromotive fuel regulator, Aeroquip -6AN hose, fuel lines, and fittings.

This fuel system is capable of flowing high or low pressure by changing the spring in the regulator. The fuel system comes with the low pressure spring installed(3PSI-20PSI). The high pressure spring(20PSI-65PSI) is also included.

Installation Tips

- A Fuel Pressure Safety Switch is recommended with this fuel system. We offer a high pressure unit(P/N:00-60000) and low pressure unit(P/N:60001)
- A gauge is not included but is able to be purchased in high pressure(P/N:00-63004) or low pressure(P/N:00-63003)
- A mild grade (Blue)Loctite is recommended on straight threads such as the ones on the regulator (3/8NPT).
- System comes with 4ft of 6AN fuel hose that can be cut to the desired length and uses supplied connections for the ends.
- Wire with weather pack connections based on the diagram below.
- If your dedicated fuel cell is vehicle specific please see our website for location orientation.



WWW.NITROUSOUTLET.COM

IMPORTANT—All appropriate safety equipment (i.e., gloves, tools) must be used during the installation of this product(s). Nitro Dave's LLC accepts no responsibility for injuries resulting in the installation of any product(s).